



Registered
NZ I L A
Landscape
Architect

50 Stanley Street
2nd Floor
Queenstown 9300
P.O. Box 740
Queenstown 9348
New Zealand
+64 3 442 8119
www.baxterdesign.nz



VEROS PROPERTY SERVICES

**Wooring Tree
Estate**

2953-WD47
Entrance Walls Signage

CONSULTANTS
Project Managers

Architect

Engineer

Surveyor

Paterson Pitts

REVISIONS

Rev.	Date	Description
0	18 Mar 2021	First Issue

Drawing Title: Entrance Walls Signage

Scale: As shown

Date: Oct 2019

Sheet Number: WD47

Job Number: 2953

Designed: DR

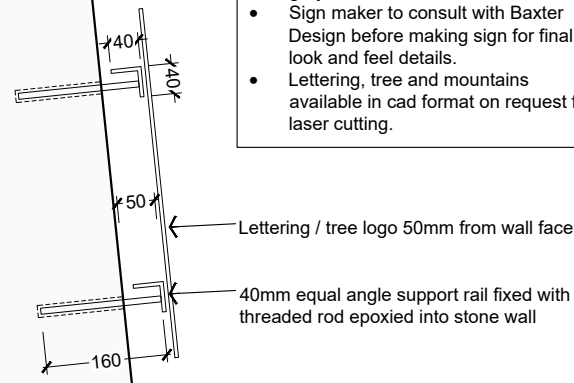
Drawn: DR

Checked: ---

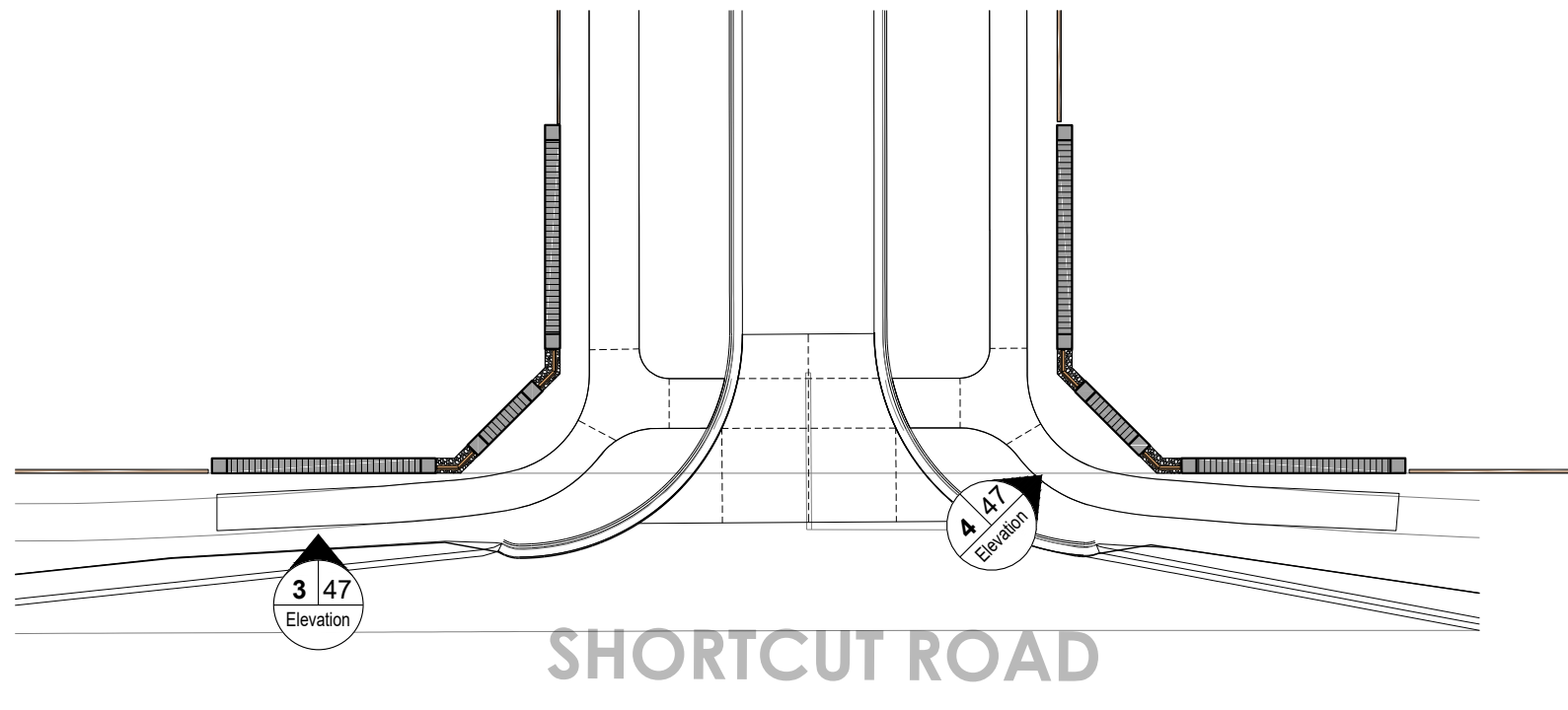
DO NOT SCALE DRAWING
CONTRACTOR TO VERIFY ALL DIMENSIONS PRIOR TO
COMMENCING ANY WORK. CAD FILE AVAILABLE FOR
SETOUT ON REQUEST. © BAXTER DESIGN

DRAFT

- NOTES**
- Support rails made from 40mm equal angle mild steel and left to weather.
 - Lettering and tree logo laser cut from 5mm plate steel and powder coated in dark grey Resene reference "Bunker"
 - Mountains logo laser cut from 5mm plate steel and powder coated in mid grey Resene reference "Boulder"
 - Sign maker to consult with Baxter Design before making sign for final look and feel details.
 - Lettering, tree and mountains available in cad format on request for laser cutting.

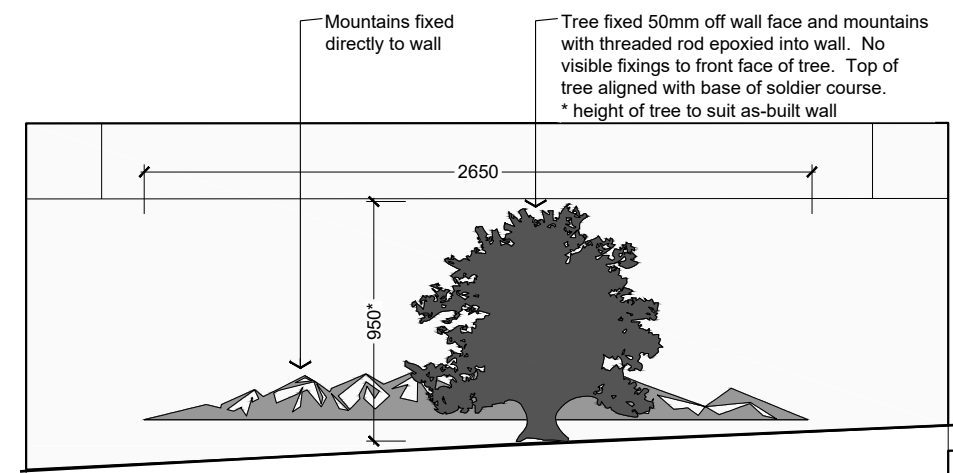


1 ELEVATION PLAN
Scale: 1:150 at A1 / 1:300 at A3



2 TYPICAL SIGN SECTION
Scale: 1:5 at A1 / 1:10 at A3

4 WALL 5 SIGN ELEVATION
Scale: 1:15 at A1 / 1:30 at A3



3 WALL 1 SIGN ELEVATION
Scale: 1:15 at A1 / 1:30 at A3

