

TOTAL DEVELOPMENT SITE AREA = 4,258 SQM

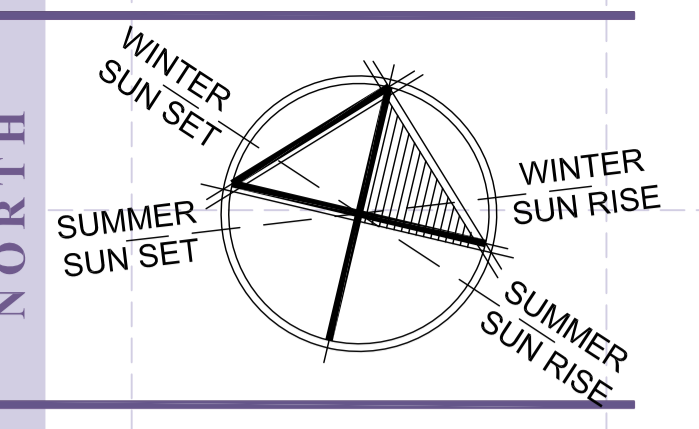
CELLAR DOOR = 2,960 SQM
 CAFE / SHOP = 1,972 SQM

TOTAL BUILDING GFA = 850 SQM

CELLAR DOOR BUILDING= 350 SQM
 CAFE / SHOP = 500 SQM

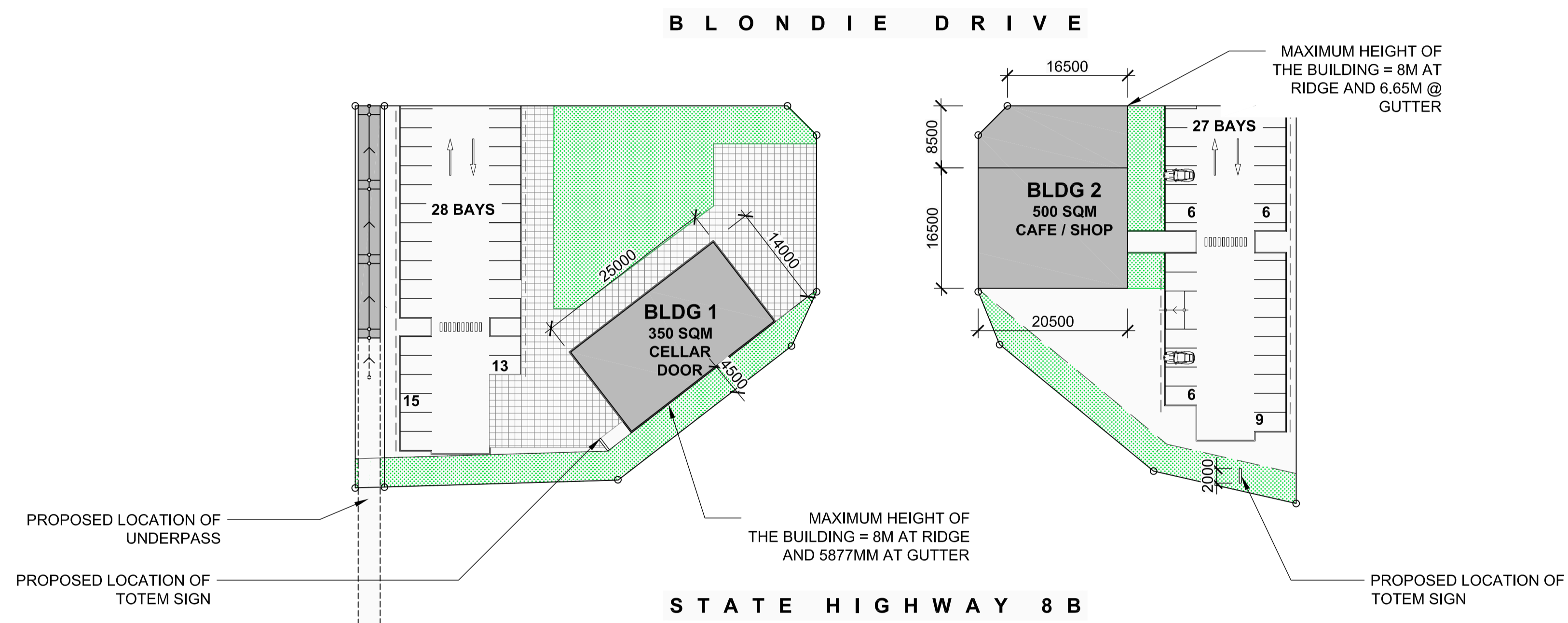
PARKING:

CELLAR DOOR & CAFE / SHOP
 55 BAYS SUPPLIED OR 1:18

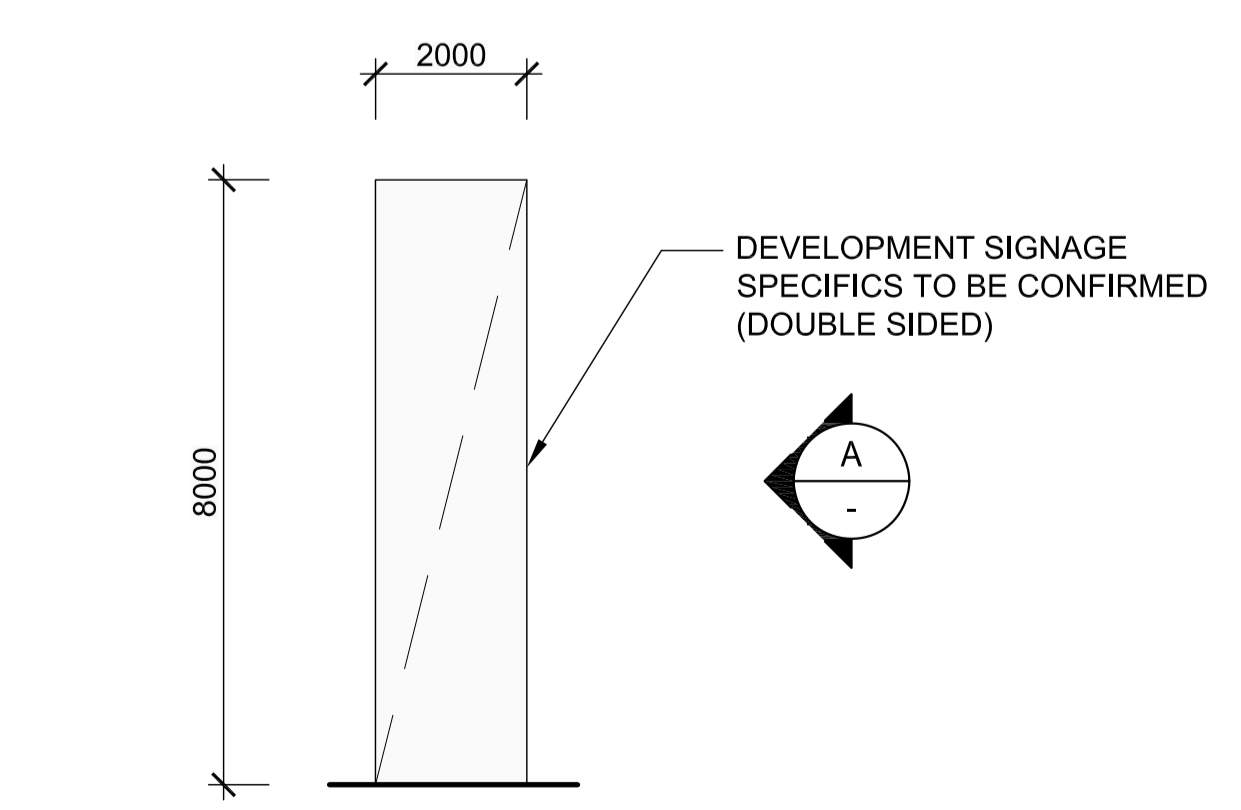


All drawings, plans and design are subject to copyright and any attempt or actual infringement by using, reproducing or copying the same wholly or in part without written permission of the architect will result in legal proceedings.
 CONTRACTOR - IMPORTANT!
 DO NOT SCALE FROM THIS DRAWING. VERIFY DIMENSIONS ON SITE AND REFER ANY DISCREPANCIES TO ARCHITECT FOR CLARIFICATION
 IF IN DOUBT - ASK.

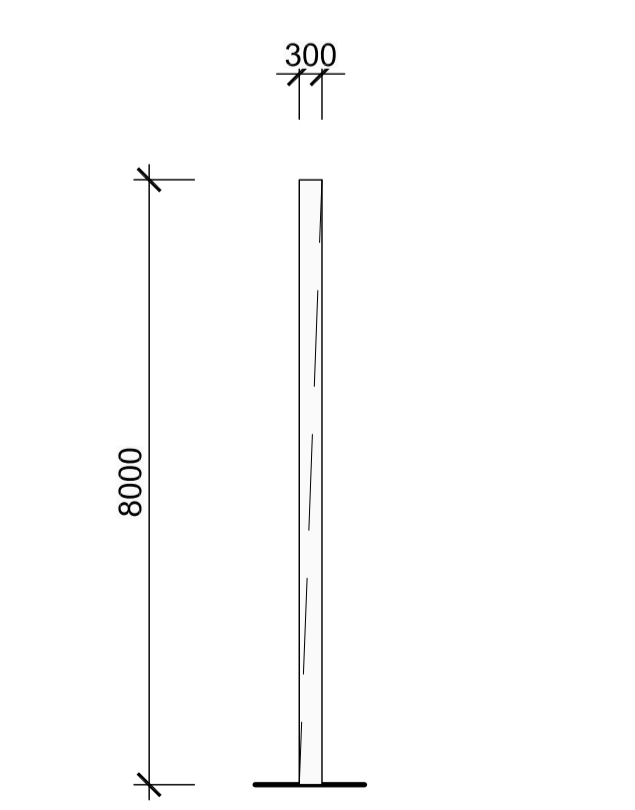
Nbr	Date	Amendments
G	26/02/21	CHILD CARE ADJUSTED
H	07/07/21	REVISED
I	07/07/21	REVISED
J	08/07/21	REVISED
K	26/07/21	REVISED
L	27/07/21	REVISED
M	07/09/21	DIMENSIONS AND TOTEM DETAILS ADDED



1 MASTER PLAN
 - 1:500@ A1 / 1:100@ A3



2 PROPOSED TOTEM SIGN
 - 1:100@ A1 / 1:200@ A3



3 ELEV A
 - 1:100@ A1 / 1:200@ A3

ARCHITECTURE
F + D = A
Fabian Douglas & assoe ltd.

Unit 8, Piazza level,
 Victoria Park Market,
 210 Victoria Street,
 Auckland Central, New Zealand
 www.architecturefda.co.nz
 phone +64 9 3073712

WOONG TREE
VINEYARD ESTATE

SITE MASTER PLAN:
CELLAR DOOR AND CAFE/SHOP

scale: AS IND
 date: MAR 2020

job number sheet number rev
1347 A-102 M